



Tag It. Bag It.



Tags and Labels



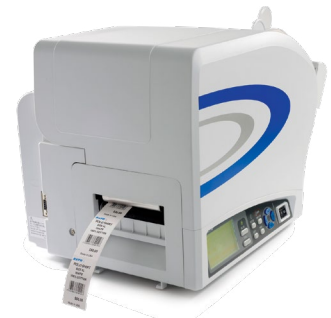
Great Looking Tags Bag Great Customer Sales

Great Tag Production Communicates Brand Identity Awareness In:

- Brand Name
- Brand Logos
- Brand Taglines
- Product Identification
- Company URL's
- Regional Communication

Create Tags or Labels to Display Important & Functional Product Information:

- Price
- Price Markdowns
- Inventory Clearance
- Product SKU and PLU
- Product Origin
- Size/Style/Gender ID

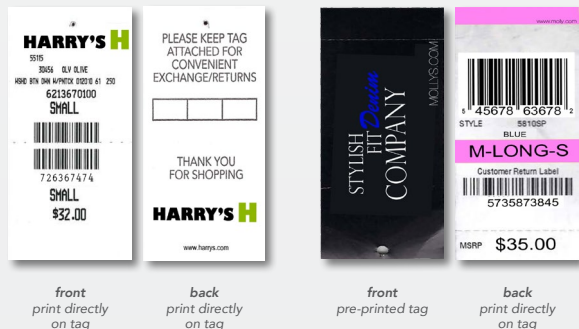
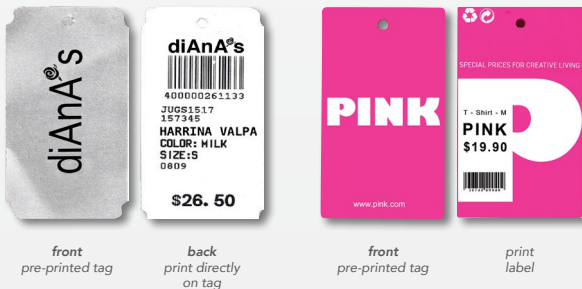
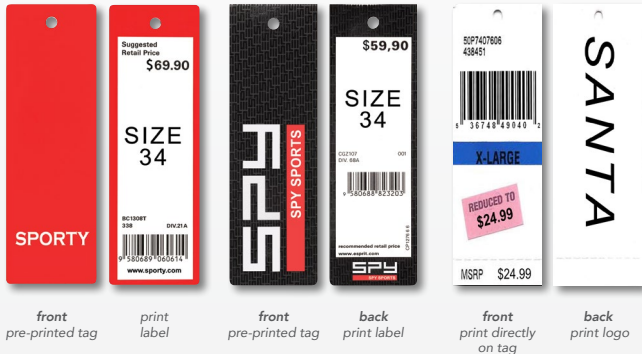


Built especially for retail industry applications, the TG3 will serve as your printer of choice for tagging and labeling apparel, accessories, houseware's, furnishings and much more.

The TG3 – Higher Performance Printing for Short to Medium Batch and Demand Print Runs

Smart Functions

- **2-in-1 Printing Solution – Print Tags and Labels**



- **Automated Print-Cut-Stack Function for Hassle Free Printing**
- **Separation of Tags for Batch Printing**



The printer separates tags by cutting the first tag longer or using the ink ribbon mechanism to place an ink mark on the side of each batch separator tag.

- **Energy-Saving LCD Display**
- **Precision Cutting of Tags & Labels**
- **Standalone Printing Using the Optional Keypad**



Powerful Features

- High Throughput
- High-Speed Printing up to 10 ips
- Supports Tags up to 0.33 mm Thick
- Large User-Friendly LCD Display
- Plug-in Interface Cards (USB/LAN/WLAN/Parallel/RS-232C)

Accessories



Stacker – Tag Printing
Reduce downtime between print jobs with Print, Cut & Stack option.



Rewinder – Tag & Label Printing
Spooling of printed material affords larger batch run printing.



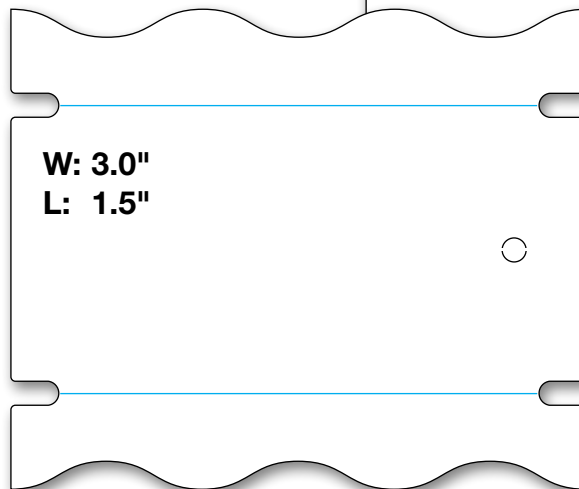
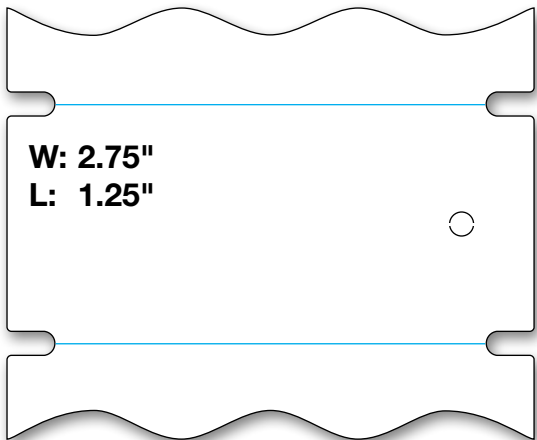
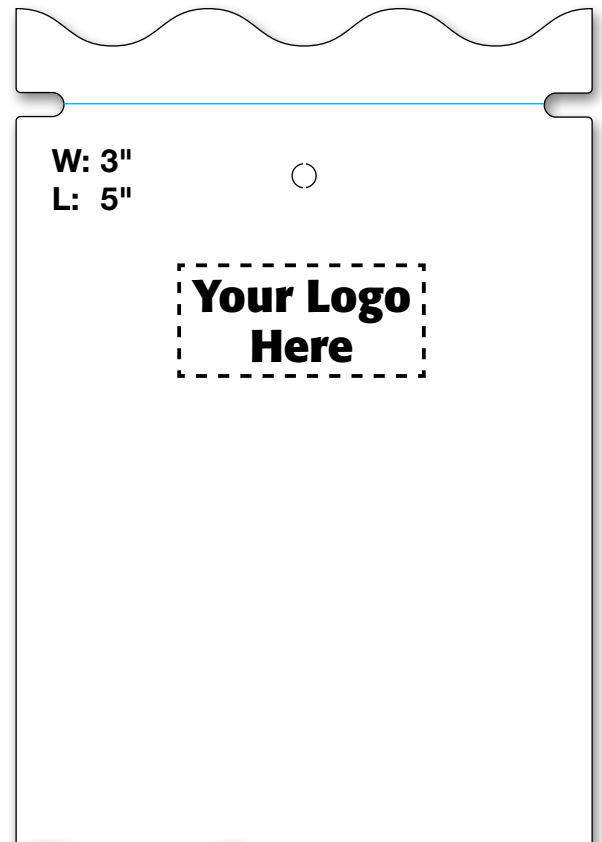
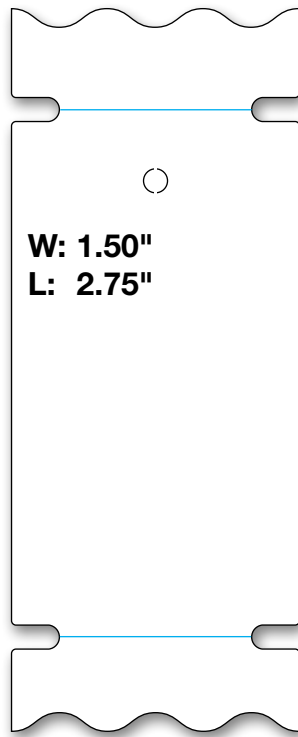
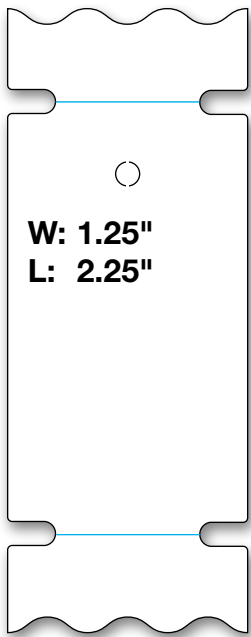
Keypad
Allows for standalone printing without a PC or Host connectivity. Please call for availability.



SATO Tag Stock

Our broad selection of tags and labels is specifically designed to enhance the output quality and complement the features of all printer systems. These products will provide performance, reliability and economy to support your most critical barcode printing applications. All genuine SATO supplies are unconditionally guaranteed!

SATO can pre-print labels with your company logo, address or create a custom design for you.

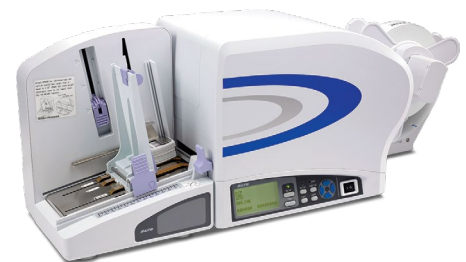




GENERAL SPECIFICATIONS

TG308 | TG312

| PRINTER MODEL | | TG308 | TG312 |
|----------------------------------|---------------------------|--|----------------------|
| PRINT SPECIFICATIONS | | | |
| Printing Method | | Direct Thermal/Thermal Transfer | |
| Print Resolution | | 203 dpi (8 dots/mm) | 305 dpi (12 dots/mm) |
| Printing Speed | | Maximum 10 ips (250mm/sec) | |
| Maximum Print Area | | 3.1" (80 mm) x 9.4" (240 mm) | |
| Memory | | 8 MB Flash ROM, 16 MB SDRAM | |
| MEDIA SPECIFICATIONS | | | |
| Sensor Type | | I-Mark Sensor (Reflection type), Label Gap Sensor (Transmissive type) | |
| Media Type | | Roll and Fanfold (Face-in, Face-out) | |
| Media Size | Label (Continuous) | Width: 0.9" to 3.1" (22 to 80 mm) Pitch: 0.6" to 9.3" (16 to 237 mm) | |
| | Label (Cutter) | Width: 0.9" to 3.1" (22 to 80 mm) Pitch: 0.9" to 9.3" (22 to 237 mm) | |
| | Tag (Continuous) | Width: 1.3" to 3.3" (32 to 83 mm) Pitch: 1.0" to 9.4" (25 to 240 mm) | |
| | Tag (Cutter) | Width: 1.3" to 3.3" (32 to 83 mm) Pitch: 1.0" to 9.4" (25 to 240 mm) | |
| | Thickness | Label: 0.006" to 0.01" (0.14 to 0.265 mm) Tag: 0.006" to 0.013" (0.157 to 0.33 mm) | |
| | Roll Specs | Maximum outer diameter: 10" (250 mm) - Inner diameter: 3" (76.4 mm) and 4" (102 mm) | |
| Ribbon (TT only) | | Width: Maximum 3.3" (84 mm), Maximum outer diameter: 1476' (450 m), Face Out/Face In | |
| FONT/SYMBOLOGIES | | | |
| Internal Fonts | | XU, XS, XM, XB, XL, OCR-A (15x22, 22x33), OCR-B (20x24, 30x36), CG Times, CG Triumvirate | |
| Barcode Symbolologies | Linear | UPC-A/UPC-E, JAN/EAN, CODE39, CODE93, CODE128, GS1-128(UCC/EAN128), CODABAR(NW-7), ITF, Industrial 2of5, Matrix 2of5, BOOKLAND, MSI, POSTNET, GS1 DataBar(RSS) barcode | |
| | 2-D | QR code, MicroQR, PDF417, MicroPDF, MAXI code, GS1 DataMatrix (ECC200) | |
| | Composite Symbols | EAN-13 Composite, EAN-8 Composite, UPC-A Composite, UPC-E Composite, GS1 DataBar Composite, GS1 DataBar Truncated Composite, GS1 DataBar Stacked Composite, GS1 DataBar Stacked Omni-Directional Composite, GS1 DataBar Limited Composite, GS1 DataBar Expanded Composite, GS1 DataBar Expanded Stacked Composite, GS1-128 Composite | |
| INTERFACE CHARACTERISTICS | | | |
| Interfaces | | Plug-In Interface Card, RS232C for Keypad, EXT Port Interface | |
| Command | | Plug-In Interface Card Options: IEEE1284, RS232C, USB, LAN, Wireless LAN | |
| Command | | SBPL (Ver 4.2) SATO Barcode Printer Language | |
| OPERATING CHARACTERISTICS | | | |
| Power Requirements | | Input power voltage: AC 100V - 240V, ± 10% (Full range), 132W/134VA (Print ratio 30%) In standby: 20W/22VA | |
| Environment | Operating | 41 to 104 F (5° to 40°C), 30 to 80% RH, Non-condensing | |
| | Storage | 23 to 140 F (-5° to 60°C), 30 to 90% RH, Non-condensing | |
| Regulatory Approvals | | FCC ISB Class B, VL60950-1(2001), CSA222, FCC ISC | |
| Dimensions | | 11.18" (284 mm) W x 21.73" (552 mm) D x 11.81" (300 mm) H | |
| Weight | | 35.71 lbs. (16.2 kg) | |
| OTHER | | | |
| Optional Accessories | | Stacker, Rewinder, SATO Keypad, SOLO Keyboard, SATO Label Gallery™ | |



SATO AMERICA, INC.
CORPORATE
 10350-A Nations Ford Rd
 Charlotte, NC 28273
 Phone: (704) 644-1650
 Fax: (704) 644-1662
 satosales@satoamerica.com

LABEL MANUFACTURING, SERVICE & SALES
 UNITED STATES MEXICO CENTRAL AMERICA
 CANADA CARIBBEAN

www.satoamerica.com

©2014 SATO America, Inc. All rights Reserved. Rev F • Any unauthorized reproduction of this content, in part or whole, is strictly prohibited • SATO is a registered trademark of SATO Corporation and its subsidiaries in Japan, the U.S. and other countries. All other trademarks are the property of their respective owners.