

# ALS 204 LABELING SOLUTION FOR SIDE LABELING

Left Hand Version

## DESCRIPTION

With this application, labels between 10 - 106 mm width (material width incl. backing paper max. 110 mm) can be applied on the top of products. The surface of the products needs to be flat to secure the smooth application of labels. Paper and stiff PE label materials can be used. The maximum apply speed is 40 m/min. The support stand with vertical and horizontal lead screws enables flexible integration onto a conveyor. The product start sensor has to be connected to the M12 plug on the ALS.

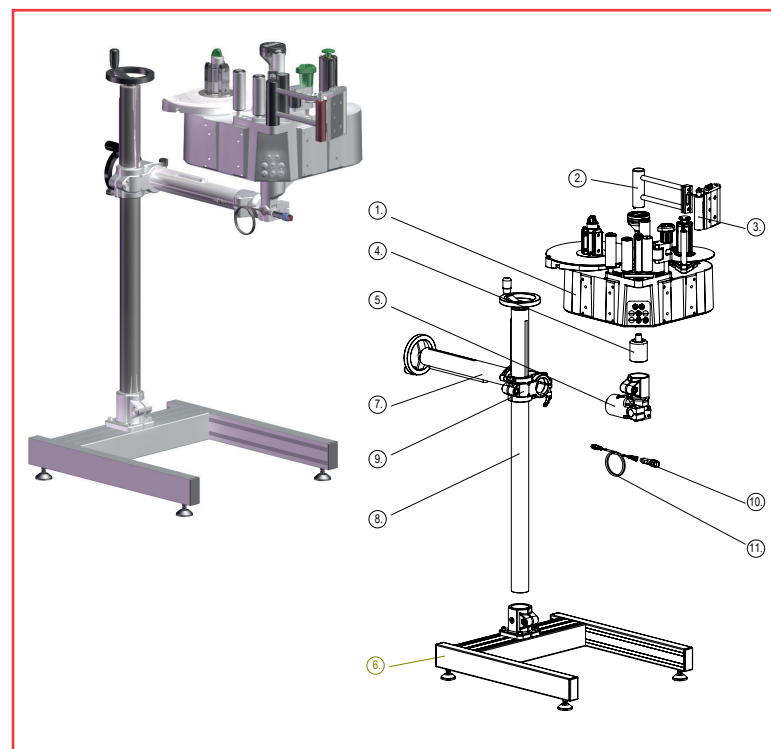
MAIN SPECIFICATIONS ALS 204	
Dispensing speed:	Up to 40 m/min
Material width incl. backing paper:	10 - 110 mm
Label length:	5 - 600 mm
Label roll diameter:	300 mm
Data Interfaces:	RS 232C, Ethernet, USB

## IMPORTANT BENEFITS

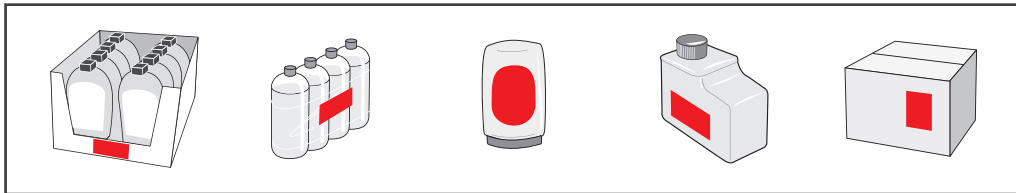
- Flexible integration in your product line
- Attractive price-performance ratio
- Fast and durable for demanding applications
- High apply speed – up to 40 m/min
- Material width up to 110 mm
- Accurate label positioning
- Easy vertical and horizontal adjustment of the ALS by means of the lead screws

## FOLLOWING PARTS ARE INCLUDED:

POS-NB.	DESCRIPTION	QT
1	ALS 204 LH	1
2	L-shape dispensing edge fixture LH 110 mm	1
3	L-shape fixed dispensing edge LH 110 mm	1
4	Fixing bolt assembly	1
5	Fixture joint assembly	1
6	Single H-Foot	1
7	Horizontal lead screw 520 mm	1
8	Vertical lead screw 1.010 mm	1
9	Cross clamp	1
10	Product start sensor	1
11	Extension cable 1.5 m	1



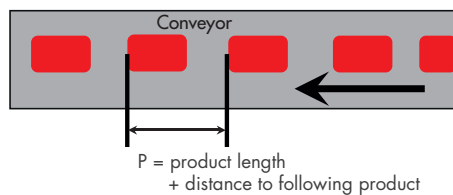
## TYPICAL APPLICATIONS: SIDE LABELING



Mainly applicable for labeling of products with flat and straight side-surface. Almost all common types of label shapes are supported.

## LABELS PER MINUTE (Q) FOR SIDE LABELING ALS

EXAMPLES	PRODUCT LENGTH (P)	APPLY SPEED (V)			
		15 M/MIN	20 M/MIN	30 M/MIN	40 M/MIN
Products:	1. 60 mm long + product distance 20 mm (P)	188	250	375	500
	2. 100 mm long + product distance 20 mm (P)	125	167	250	333



As application-specific circumstances can impact the real volumes and apply-speeds, no rights can be derived from these calculations.

Calculation of max. labels per minute:  $Q = V \times 1000 / P$   
 Calculation of max. apply speed:  $V = Q \times P / 1000$

## OPTIONS\* FOR ENHANCEMENT OF THIS SOLUTION

- Capacitive label sensor (including bracketry)
- Cable for tandem application
- Interface cable for tandem
- Remote display
- IP65 Protection Kit IP BASIC
- IP65 Protection Kit IT 1
- IP65 Protection Kit IT 2
- Encoder set APSF: Rotary Encoder (for APSF), incl. cable with M12-plug
- External OD control (LH)

\* not included, have to be ordered separately.



Remote display

The information contained herein is believed to be reliable but NOVEXX Solutions makes no representations concerning the accuracy or correctness of the data. The information, like any other should be confirmed independently for the particular end user conditions to ensure the proposed labeling meets the relevant requirements and regulations. NOVEXX Solutions shall have no liability whatsoever, regardless of any legal theory, arising out of your use or reliance on the information contained herein and in no event shall NOVEXX Solutions be held liable for consequential, indirect or incidental damages. NOVEXX Solutions liability is limited to the replacement value of defective product. Products, information and specifications are subject to change without notice.

© 2015 Novexx Solutions GmbH, All Rights Reserved. Third party trademarks and/or trade names may be used herein are the property of their respective owner(s).

### Novexx Solutions GmbH DEUTSCHLAND

Ohmstrasse 3  
D-85386 Eching  
Tel. +49 (0)8165 925 299  
info.deutschland@novexx.com

### Novexx Solutions S.A.S. FRANCE

Tel. +33 (0)825 82 61 52  
info.france@novexx.com

### Novexx Solutions B.V. NEDERLAND

Tel. +31 (0)302 63 22 33  
info.nederland@novexx.com

### Novexx Solutions B.V. BELGIE

Tel. +32 (0)2 377 8002  
info.belgie@novexx.com

### Novexx Etiketleme Sistemleri Tic. A.Ş. TÜRKIYE

Tel. +90 216 564 81 81  
info.turkiye@novexx.com

### Novexx Solutions GmbH ITALIA

Tel. +39 0331 1855511  
info.italia@novexx.com

### Novexx Solutions GmbH FILIAL SVERIGE

Tel. +46 (0)31 68 30 40  
info.sverige@novexx.com

### manroland India Pvt. Ltd. INDIA

Tel. +91 (11) 47002900  
info.india@novexx.com

### Novexx Solutions USA

Tel. +1 610 4730751  
info.usa@novexx.com

### Novexx Solutions ASIA

Tel. +86 (021) 2215 7665  
info.asia@novexx.com

### Novexx Solutions GmbH POLSKA

Tel. +48 (0)605957108  
info.polska@novexx.com