



JE-1600/S2

- High capacity
- Strong construction
- Easy operation
- Many options
- Different layouts

JE-1600/S2 - for labelling cylindrical containers

The system contains:

- strong plast slat belt conveyor on a height adjustable stainless steel base and emergency stop box.
- EME Series 2000 label dispenser mounted on a vertical double tube spindle with hand wheel for easy height adjustment, for positioning the label in desired height on the products.
- wrap-around unit with backing plate on spindle with hand wheel for adjustment of pressure.

Available options

- different systems for product separation (application specific).
- wider or longer conveyor.
- round tables for in- or out-feed.
- print systems (hot-stamp, thermal transfer etc.).
- sensor for detecting transparent labels.
- pre-warning and warning signals for low / empty label roll.
- more options available on request....



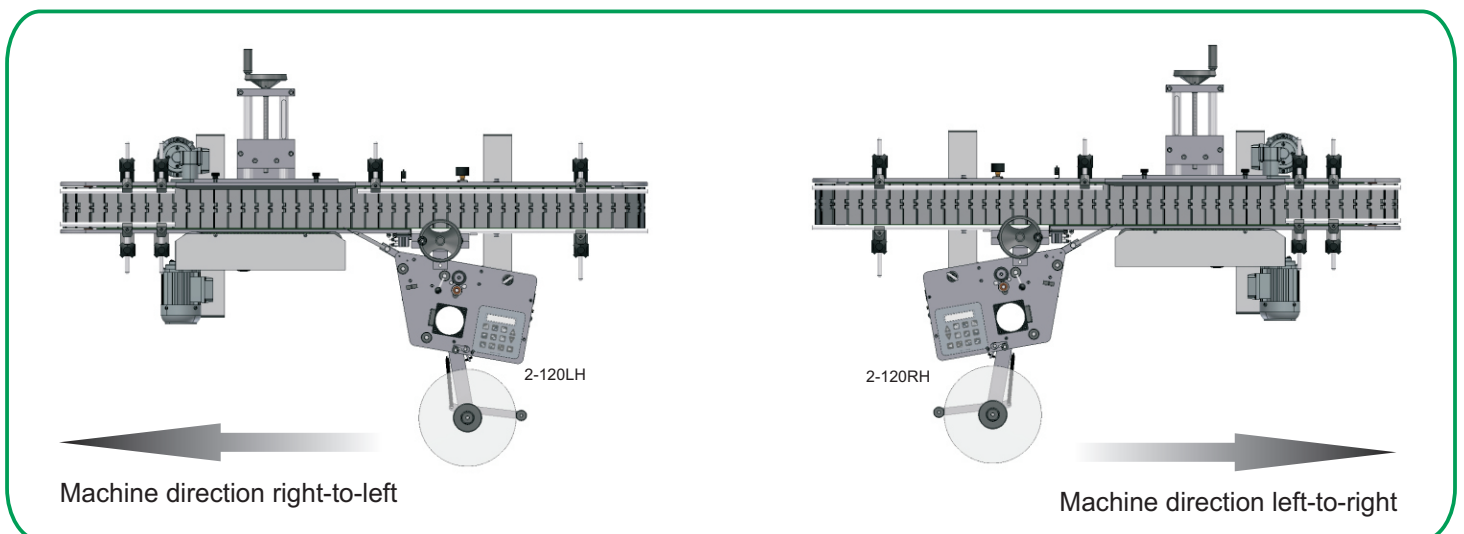
Specifications

Dimensions	1630x1200x1500mm (LxWxH)
Weight	150 kilo
Electrical supply	1 x 230VAC 50/60Hz.
Conveyor*	Plastic slat belt conveyor on a stainless steel base. Width of chain 83mm. 114, 152, 190 or 305mm on request. Length: 1630mm. Other lengths on request. Speed is fixed, either 10 or 17 m/min.
Product dimensions	Ø18-Ø80mm - other dimensions on request. Height 25-150mm - other dimensions on request.
Label dispenser	EME Series 2000 - Right-Hand or Left-Hand versions. See specifications on separate datasheet.
Label dimensions	Length from 15-250mm. Height from 15-120mm. Larger labels possible by use of other dispenser.
Speed	Up to 200 products/min. (depends on label/products).
Operation	Due to the use of EME Series 2000 label dispenser, it is possible to define up to 45 labelling programs (product/label combinations) and store these in the dispenser's memory..

* All configurations are available in right- or left-hand versions.

Our Wrap-Around machines can be made in many configurations based on our wide range of standard components i.e. various sizes of conveyors, different label dispensers, with or without product separating, round tables for infeed or collecting, control functions, print systems etc.

We will be pleased to design the optimum solution for you!



Specifications are liable to change without prior notice.

