

# MASTER SERIES

## High Resolution Ink Jet Controllers



[www.ale.fr](http://www.ale.fr)



MasterPad-HD



MasterTouch-HD

### 2 Models

- MasterPad-HD: keypad and 5" HD touch screen LCD display
- MasterTouch-HD: 12.1" touch screen display

### 3 Available Versions

- 2, 4 or 8 head connections

### Main Specifications

- Up to 8 print heads connected simultaneously
- Up to 60m/min for a resolution of 180dpi
- Intuitive user interface, multi-lingual
- TCP/IP - RS232 - USB - WiFi (MasterPad)
- Compatible with TCP/IP network
- Compatible with most database formats
- Easy installation
- No maintenance needed



# MASTER SERIES

## High Resolution Ink Jet Controllers

www.ale.fr

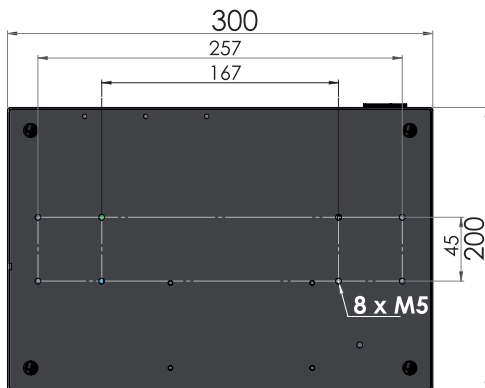
### Advanced Specifications :

- Intel 32 bit dedicated CPU
- USB/RS232/Wi-Fi 802.11b-g / TCP-IP connections
- Up to 200 messages per file. Unlimited files using USB memory stick
- Up to 8 print heads simultaneously driven, with print speed up to 60m/min at 180dpi resolution
- Print height up to 576mm (characters from 0.7 to 576 mm)
- Manual image creation or using Codex® Design Software
- Compatible with external devices having an RS232 port such as:
  - Weighing device
  - Barcode scanner
  - PLC / automat
  - Database
- Can drive two different zones independently (Twin Time Zone option)
- Stainless steel enclosure IP54
- Delivered with mounting kit, cables and manual

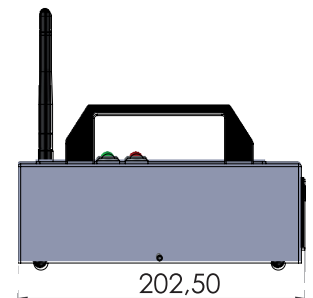
	MasterPad-HD	MasterTouch-HD
Screen	Touch 5" HD	Touch 12" HD
Keyboard	23-key membrane / on screen	On screen

### Dimensions:

Refer to the operator manual for more details



MasterPad-HD



### Weight:

- 6 kg

### Electrical Specifications :

- 90-250 VAC/ 50-60Hz  
- 120W

### Environmental Specifications :

- From 5 to 45°C

### RelativeHumidity :

- From 0 to 90% (non condensing)

your contact :

YouTube ALE SARL